

MILCA 494502L

PENDANTS

PROJECT



494502L-BN
Brushed Nickel



494502L-BK
Black



494502L-GY
Gray



494502L-GD
Gold

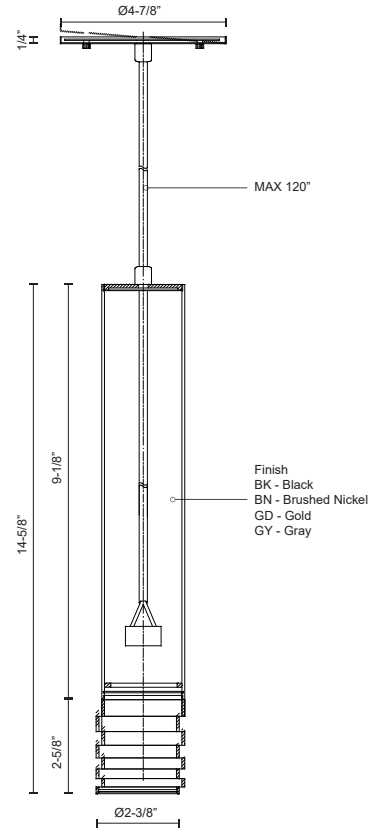
SPECIFICATION DETAILS

* For custom options, consult factory for details.

Fixture Dimensions	D2-3/8" x H14-5/8"
Lamp Type	Incandescent, GU10
Bulbs Included	No
Wattage	1 x 50W
Voltage	120V
Adjustable	Yes
Wire Length	120" Max
Wire Type	Black SVT Cord
Location	Dry
Warranty	5 Years
Canopy Dimensions	D4-7/8" x H1/4"

DESCRIPTION

Single lamp pendant with steel cylindrical shade embellished by stacked tubular slices. Primary color configurations include black, gray, brushed nickel or gold with a matching interior. Suspended by a black Teflon cable



KUZCO

19054 28TH AVENUE
SURREY - BC V3Z 6M3
CANADA

WWW.KUZCOLIGHTING.COM

COMMENT

